



**Introducing the:**

**MHM 7700 Rollpacker**

The MHM Rollpacker is for the compaction of pallets or other comparable wood fractions (10T of weight instead of 2T in one 40yd container), voluminous, bulky wastes of all types and for the compaction of reusable, valuable substance in a reliable, clean, cost effective and economic manner. Save on disposal and/or incinerating costs by removing recyclable waste and providing potential income.



MHM are sole distributors for sales and service for all Jovisa, S.L machines to the whole of the UK & Ireland

**MHM UK LTD**



**JOVISA, S.L.**  
MAQUINARIA E HIDRÁULICA

MHM(UK LTD

Fenhouse Drove, Swineshead, Lincolnshire, PE20 3HE  
Tel: +44 (0)1205 821522 Email: sales@mhmukltd.com



Types of application

Stationary for one container

Types of Waste

Stationary device for each one open container. A compaction drum with hydraulic selfpropulsion moves inside the container by means of a cranked arm - thereby gripping, shredding and compacting the material.

Operating Places

Recycling depots, waste collection centres, wholesalers, industrial plants

Equipment

Variable adjustable rolling time (compaction time) and rolling length, automatic or manual operation, display that shows the operating mode on the control panel with "forward/reverse" for the manual control of the rolling length, oil cooler for reliable continuous operation, working hour counter, branded hydraulic pump, auto-timer, oil level monitoring, overload protection

Special Equipment\*

Automatic full signal, remote control

Required Space  
(Without Container)

width: 2800 mm length: 4900 mm height: 6600 mm

Net weight

approx. 3200 kg

Max container size

length: approx. 7000 mm height: 2700 mm (optional 3100 mm)

Power supply

32 amp socket, 16 amp d class breaker

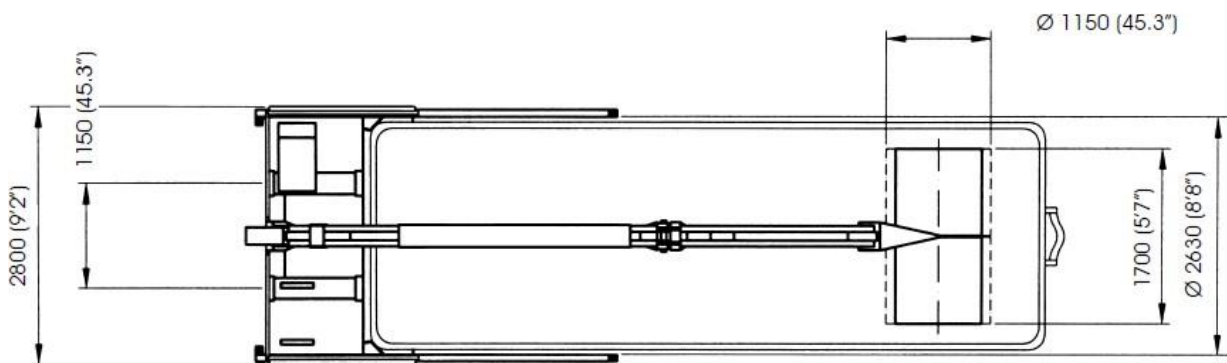
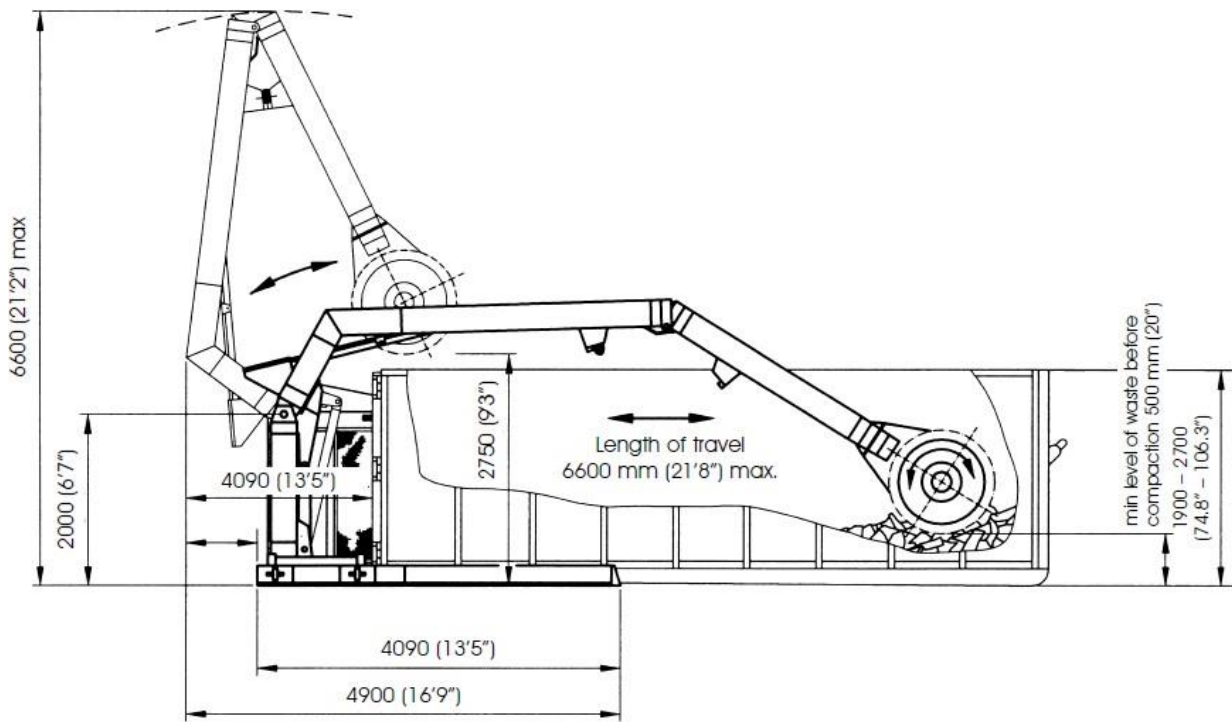


MHM are sole distributors for sales and service  
for all Jovisa, S.L machines to the whole of the  
UK & Ireland



**JOVISA, S.L.**  
MAQUINARIA E HIDRÁULICA

MHM(UK LTD  
Fenhouse Drove, Swineshead, Lincolnshire, PE20 3HE  
Tel: +44 (0)1205 821522 Email: sales@mhmuktd.com



MHM are sole distributors for sales and service for all Jovisa, S.L machines to the whole of the UK & Ireland



**JOVISA, S.L.**  
MAQUINARIA E HIDRÁULICA

MHM UK LTD

Fenhouse Drove, Swineshead, Lincolnshire, PE20 3HE  
Tel: +44 (0)1205 821522 Email: sales@mhmukltd.com